

02S3015WWDE916 | silver

02S

projector

LED | 15 W 3000 K

LED

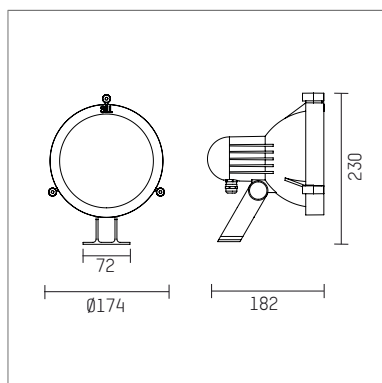
DALI

IP65

IK08

CE

5Y



- projector 02S
- for wall-, ground and ceiling mounting
- with mounting bracket, pivots in two axes
- with LED
- colour temperature: 3000 K
- total load: 15 W
- rotationsymmetrical light distribution, flood
- beam angle: 40 °
- with built in LED power unit, electronic (DALI), 90-264V, 50/60 Hz
- power supply: 4-pole supply cord, H05SS-F 1 mm², Länge: 1500 mm
- other cable lengths available on request
- housing of die cast aluminium
- safety glass, clear
- length: 180 mm, width: 174 mm, height: 230 mm
- pivotable -80°/+40°
- windage area: 0,06 m²
- weight: 1,9 kg
- protection rating: IP65
- protection class II
- 5 years warranty
- impact resistance class: IK08
- certificates: manufactured according to DIN VDE 0711 / EN 60598, CE
- colour: silver (RAL9006)
- 02S3015WWDE916
