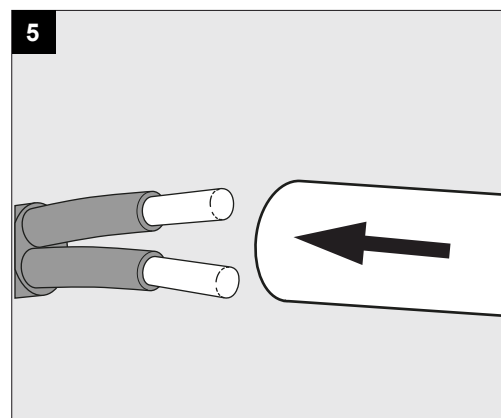
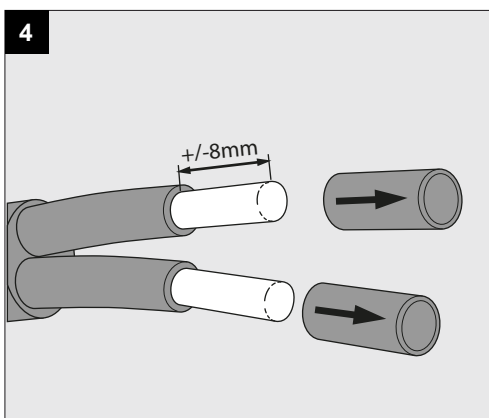
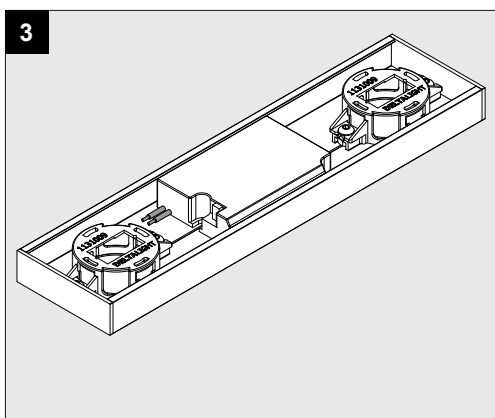
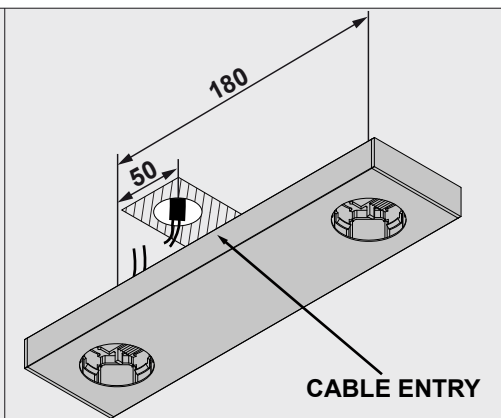
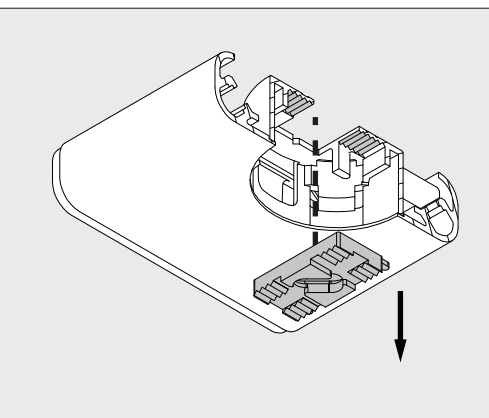
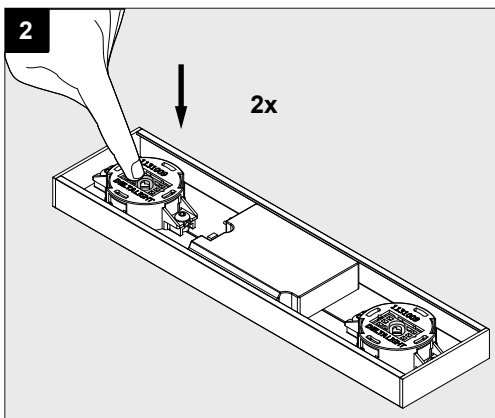
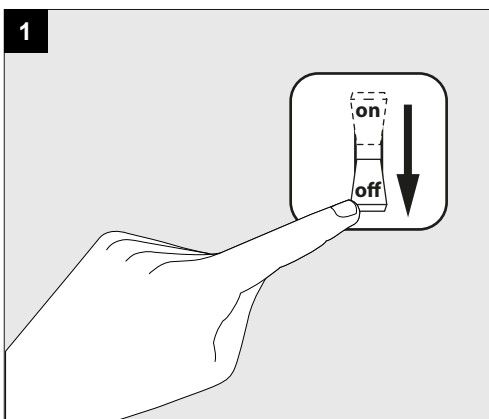
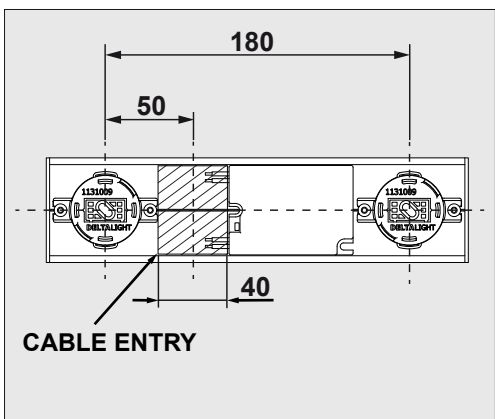
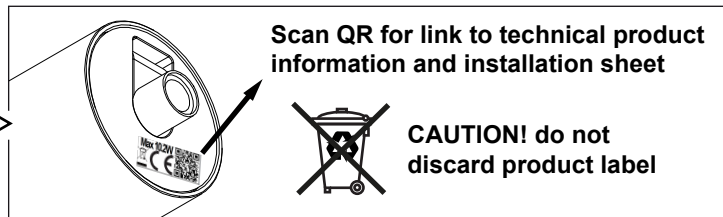
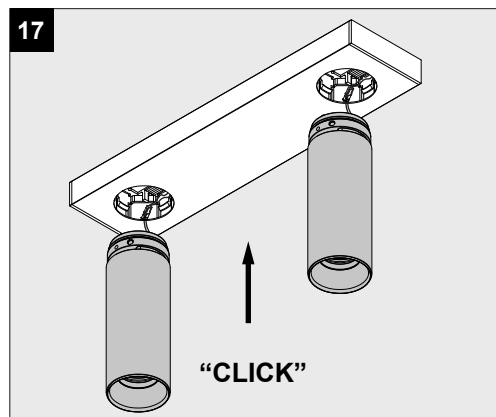
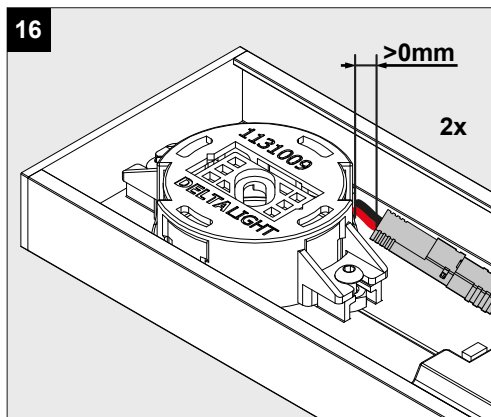
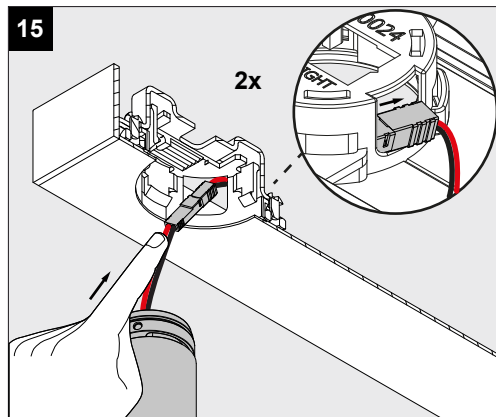
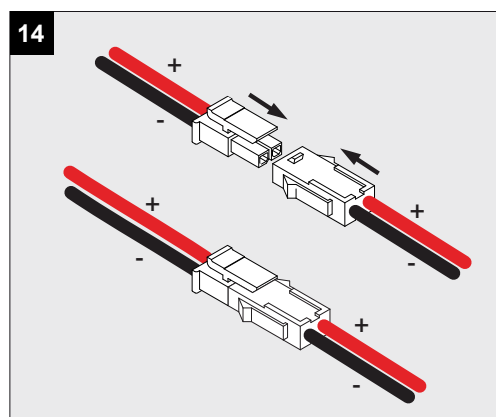
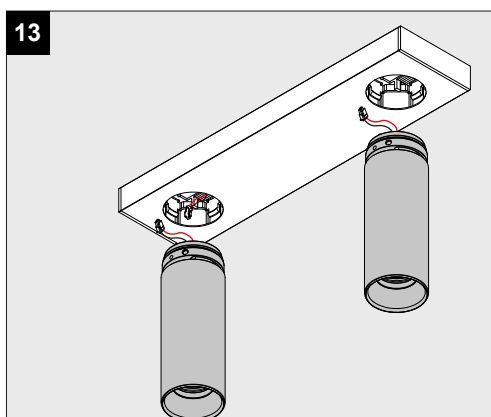
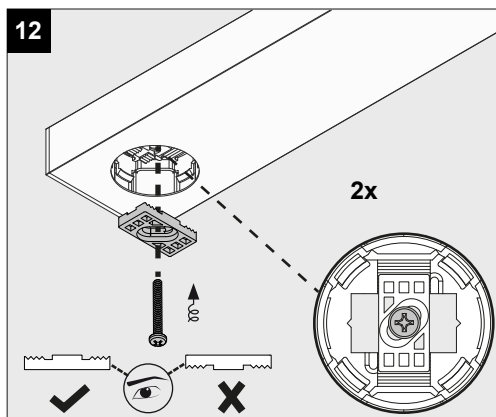
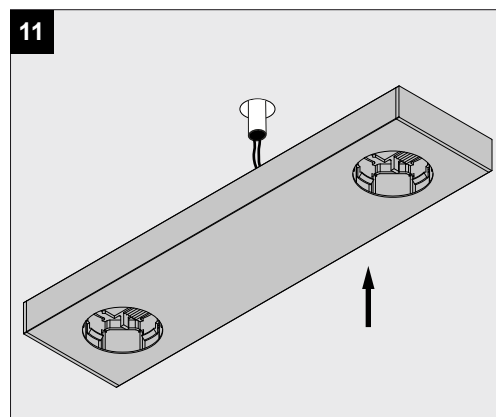
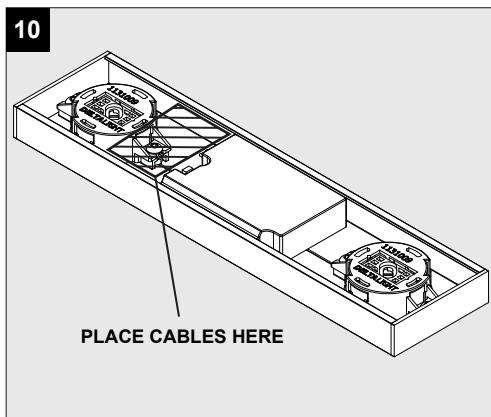
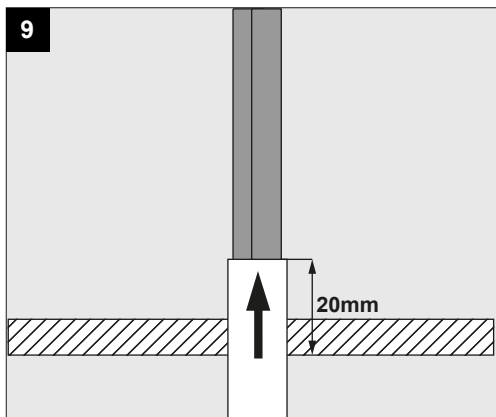
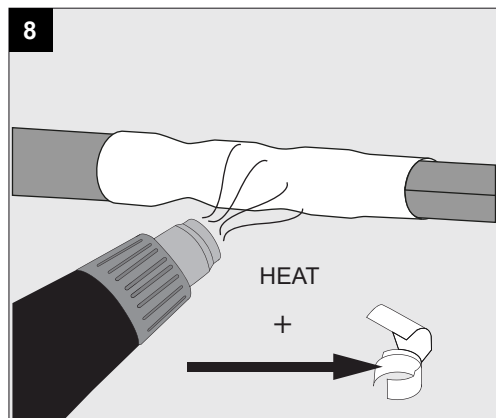
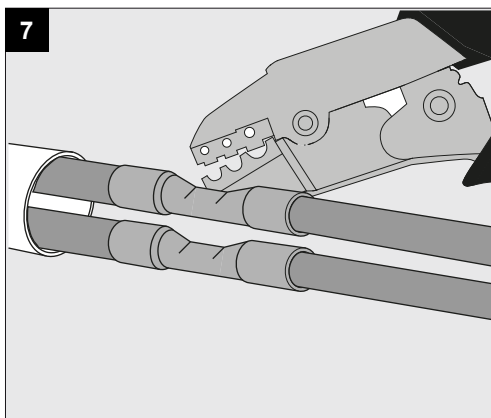
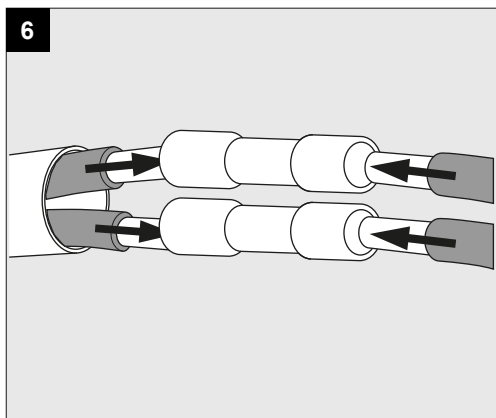


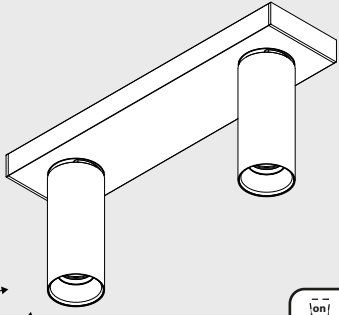
SPY II 39 ON 2 PS
MAINS DIM **A**



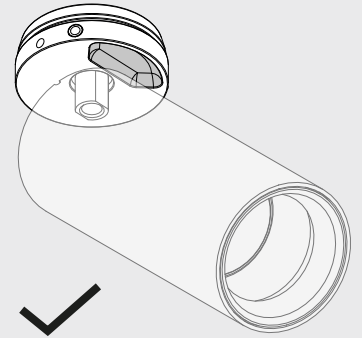
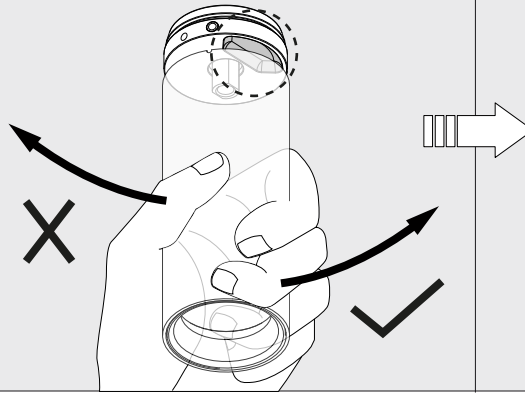


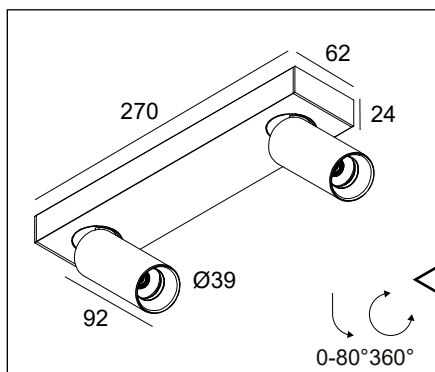


18



0-90°360°





**SPY II 39 ON 2 PS
DALI DIM**

A

